

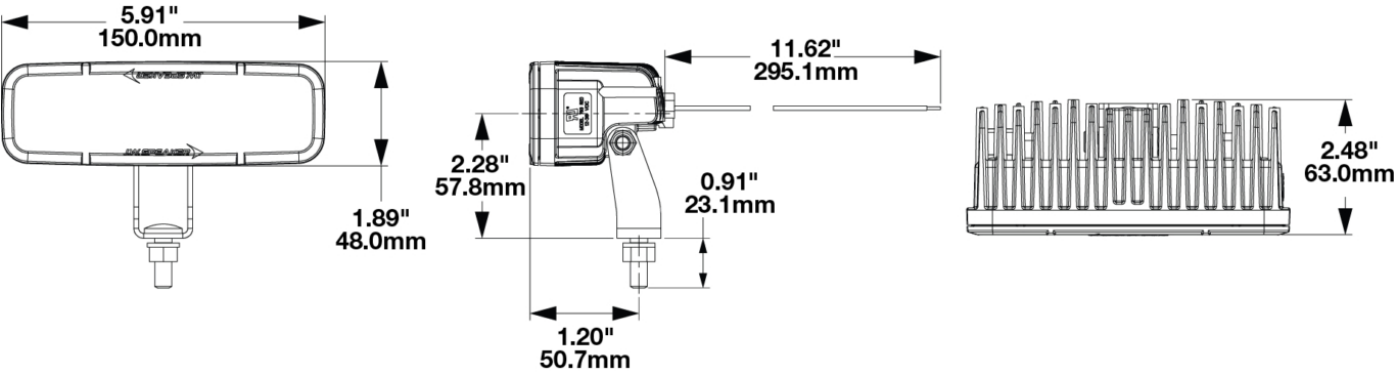
# LED Safety Lights - Model 793

## PRODUCT INFORMATION

<b>Description</b>	12-36V LED Red Stripe, Long Bracket
<b>Product Weight</b>	0.79 lbs / 0.36 kgs
<b>Shipping Weight</b>	0.98 lbs / 0.44 kgs



## PRODUCT DIMENSIONS



Print date: 2023-06-07

© 2023 J.W. Speaker Corporation • Germantown, WI U.S.A.  
www.jwspeaker.com • speaker@jwspeaker.com • 262.251.6660



# LED Safety Lights - Model 793

## ELECTRICAL SPECIFICATIONS

<b>Input Voltage</b>	12-36 V
<b>Operating Voltage</b>	10-45 V
<b>Current Draw</b>	1.6A @ 12V .6A @ 24V .57A @ 36V

## REGULATORY STANDARDS COMPLIANCE

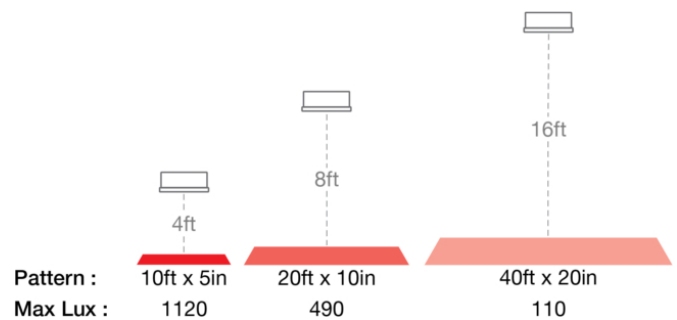


IEC IP69K

UL Recognized

## PHOTOMETRIC SPECIFICATIONS

**Beam Pattern(s)** Warning - Keep Out Zone



## APPLICATIONS



**Print date: 2023-06-07**

© 2023 J.W. Speaker Corporation • Germantown, WI U.S.A.  
www.jwspeaker.com • speaker@jwspeaker.com • 262.251.6660

**J.W. SPEAKER**  
Engineered. Lighting. Solutions.

# LED Safety Lights - Model 793

## PRODUCT WARNINGS

---

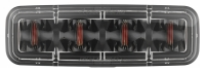
For California residents:

⚠ **WARNING:** Cancer and reproductive harm - [www.P65Warnings.ca.gov](http://www.P65Warnings.ca.gov).

⚠ **AVERTISSEMENT:** Cancer et effet nocif sur la reproduction - [www.P65Warnings.ca.gov](http://www.P65Warnings.ca.gov).

## RELATED PRODUCTS

---



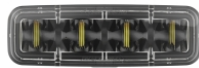
**Part Number**  
**1603631**

12-36V LED Red, Short Bracket



**Part Number**  
**1603641**

12-36V LED Blue, Short Bracket



**Part Number**  
**1603651**

12-36V LED Amber Stripe Zone Light, Short Bracket



**Part Number**  
**1603681**

12-36V LED Red Stripe Zone Light with Shroud, Short Bracket



**Part Number**  
**1603771**

12-36V LED Blue Stripe, Long Bracket



**Part Number**  
**1603781**

12-36V Amber Stripe Zone Light, Long Bracket



**Part Number**  
**1603791**

12-36V Red Stripe with Shroud, Long Bracket



**Part Number**  
**1603811**

48-110V LED Red Stripe Zone Light, Short Bracket

---

Print date: 2023-06-07

© 2023 J.W. Speaker Corporation • Germantown, WI U.S.A.  
[www.jwspeaker.com](http://www.jwspeaker.com) • [speaker@jwspeaker.com](mailto:speaker@jwspeaker.com) • 262.251.6660